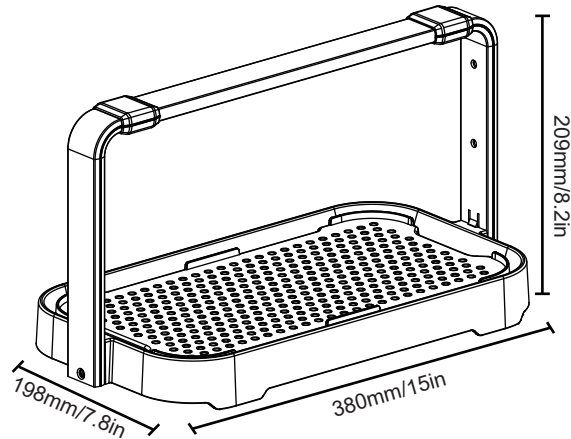


EASP-Indoor Garden User Manual

Please read this manual carefully before using the product and keep it properly

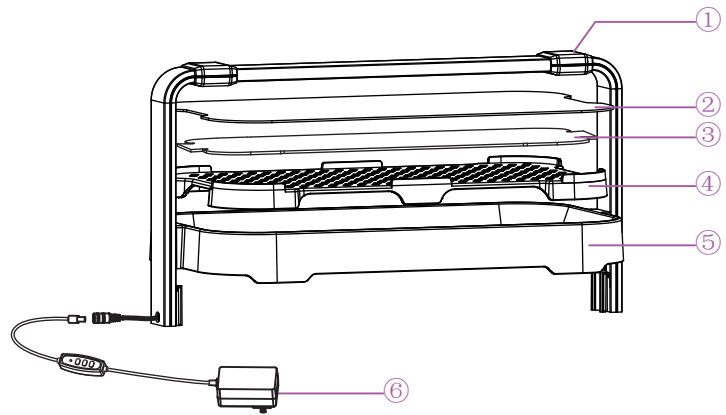
Product Specifications

Wattage	10 watts
Input voltage	AC100-240V
Output voltage	DC5V/2A
PPFD	10.74 μ mol/m ² /s max
Brightness	748.8 Lumens
Color	Black / White / Green



PARTS LIST

① LED light fixture	×1
② Plastic light shield	×1
③ Growth pads	×2
④ Seed sprout tray	×1
⑤ Water reservoir tray	×1
⑥ DC adapter	×1



Precautions

Please read this manual carefully and follow the safety precautions strictly:

1. Ensure the input voltage is within **AC100-240V** before use.
2. Familiarize yourself with and adhere to **local electrical codes** before installation and operation.
3. **Turn off the power and unplug** the device before performing any maintenance or cleaning. Use a damp cloth for cleaning.
4. The **ambient temperature** must not exceed **40°C**. **Do not** cover the lamp body, and ensure **adequate ventilation** at all times.
5. **Do not disassemble or modify** the lamp without proper authorization. Operate only under the manufacturer's guidance.

Warning

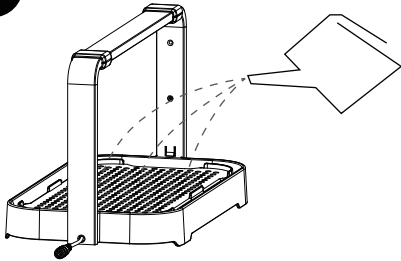
1. The light support generates significant heat during operation, with surface temperatures reaching up to 45°C. It is relatively hot if touch by hands. **Do not move the microgreen kit until it has cooled down.**
2. The **LED grow light is for indoor use only**. If you need to move the microgreen kit outdoors, **please remove the light before doing so.**

Installation

1. Attach the water reservoir tray to the buckles on the plastic bracket.
2. Place the seed sprout tray and plastic light shield into the water reservoir tray in order.
3. Evenly scatter the seeds onto the growth pad, then add water to the reservoir tray until the pad is just soaked.
4. Connect the adapter to the lamp, and plug it into a power socket.

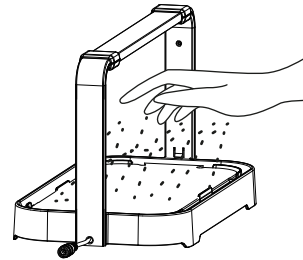
Growing Guide

1



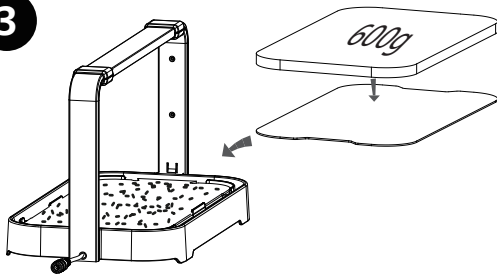
1. Pour about 500mL (two cups) water into the reservoir tray. The water level should not exceed the seed sprout tray.

2



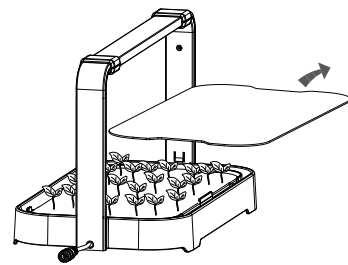
2. Put the wet growth pad on the seed sprout tray, then spread the seeds evenly over it.

3



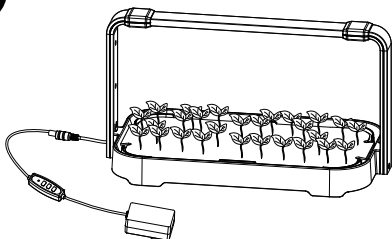
3. Use the plastic light shield to cover the seeds, and add a book weighing about 600g to maintain light pressure.

4



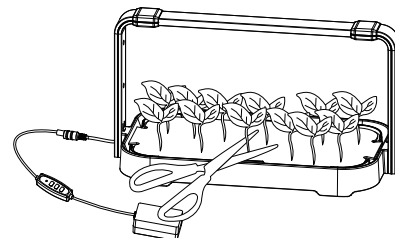
4. Remove the plastic light shield after the seeds germinate.

5



5. Connect to the power supply, then turn on the lamp and set the timing.

6



6. The sprouts can be harvested after about 3~5 days