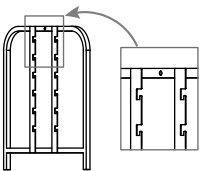
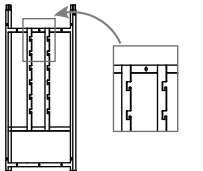
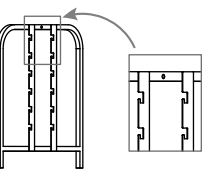
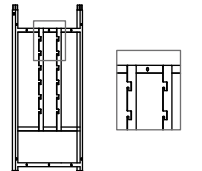










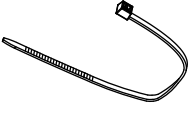

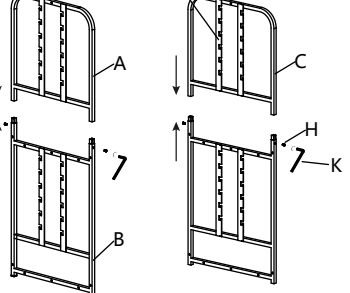

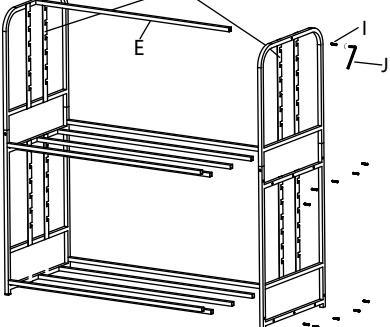

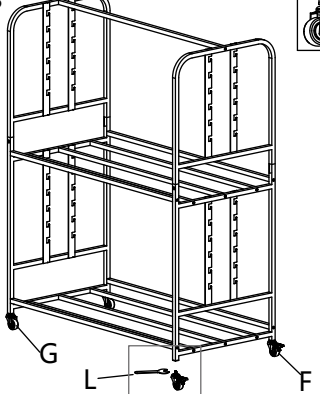
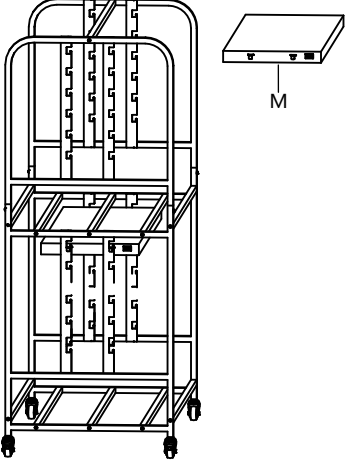
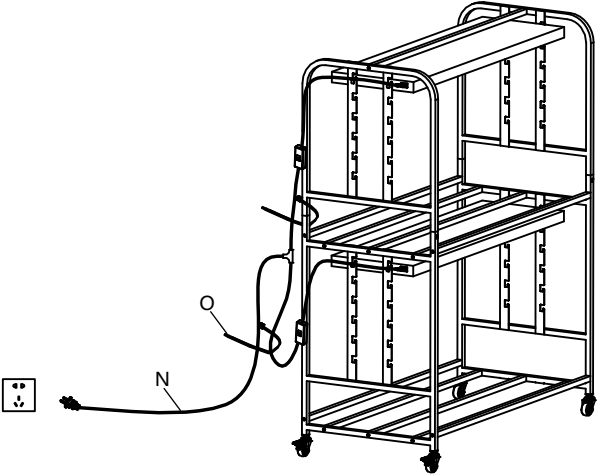


Instructions for LED Grow Light Garden Kit - 03

PART LIST

<p>A</p>  <p>A Side Frame (X1)</p>	<p>B</p>  <p>B Side Frame (X1)</p>	<p>C</p>  <p>C Side Frame (X1)</p>	<p>D</p>  <p>D Side Frame (X1)</p>	<p>E</p>  <p>Cross Bar (X11)</p>
<p>F</p>  <p>Swivel Castors with Brakes (X2)</p>	<p>G</p>  <p>Swivel Castors (X2)</p>	<p>H</p>  <p>Hex Screws-02 (X4)</p>	<p>I</p>  <p>Hex Screws-01 (X22)</p>	<p>J</p>  <p>Hex Key-01 (X1)</p>
<p>K</p>  <p>Hex Key-02 (X1)</p>	<p>L</p>  <p>Open Ended Wrench (X1)</p>	<p>M</p>  <p>LED Fixtures (X2)</p>	<p>N</p>  <p>T-Type Power Cord (X1)</p>	<p>O</p>  <p>Zip Ties (X2)</p>

<p>STEP-1</p> <p> Screw M6*15MM</p> <p>Hook Plates on the inside, and keep the direction of the hook plates on the top and bottom consistent</p> 	<p>STEP-2</p> <p> Screw M8*35MM</p> <p>Hook Plates On the inside</p> 	<p>STEP-3</p> <p> Wrench</p> 
--	--	---

<p>STEP-4</p>  <p>Facing the direction of the hook, place the LED Fixture (M) on the hook, adjust the lighting distance from the plant canopy appropriately.</p>	<p>STEP-5</p>  <p>Connect To Input Voltage AC 85-265V</p>
--	--



Warning

- Do not spray water directly onto LED Fixture.
- Turn off the power and unplug fixture before you perform any maintenance or cleaning.
- Avoid prolonged exposure and looking directly at light source.