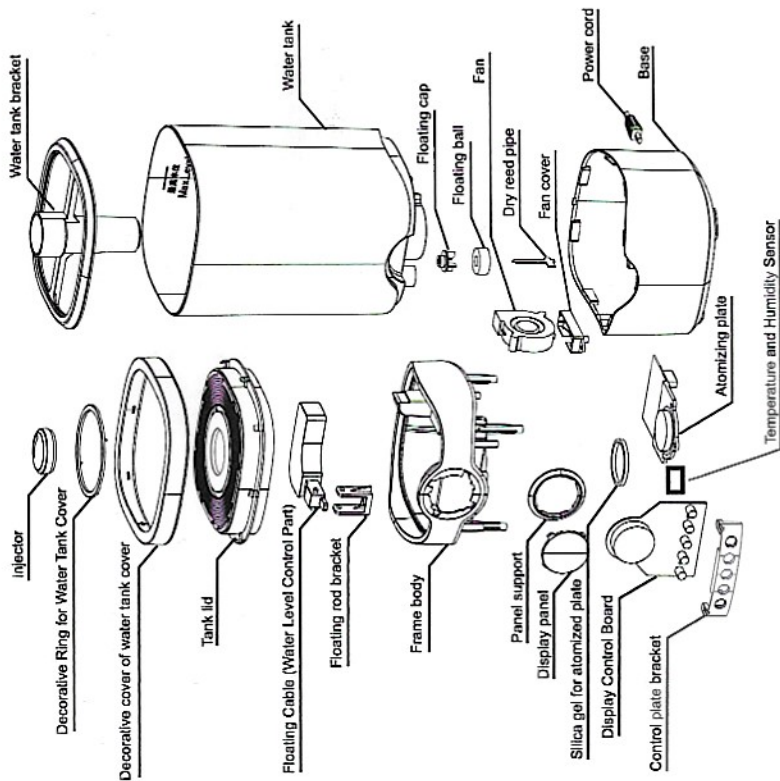


Product Component Name



Computer money

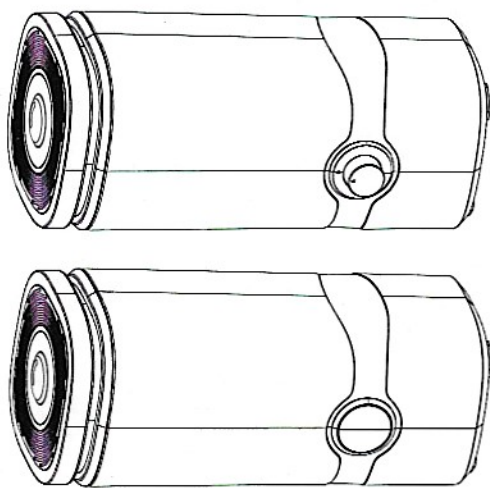
Working Principle of Products

Ultrasound air humidifier uses the principle of 1.7 million high frequency oscillations per second generated by ultrasound to atomize water into 1-5 micron ultrafine particles. Through the pneumatic device, the water mist is diffused into the air, so as to achieve the goal of uniform humidification of air.

Product Usage Method

1. Place the machine on a horizontal table, lift the water tank after removing the lid of the water tank, and inject proper amount of clean tap water or distilled water (when water is injected, the power plug must be pulled out) and add water to the highest water level marked on the inside of the water tank.
2. Place the water tank on the base steadily, cover the water tank cover, and then plug the power plug into the socket. Make sure that the working voltage of the machine is in accordance with the operating voltage before switching on the power supply.
3. Turn on the power switch/fog adjustment switch, the power indicator lights on (green or blue), the machine starts to work, and can adjust the size of fog at will;
4. When the water level of the machine sink is too low, the machine will automatically cut off the power supply and stop working while the water shortage indicator lights on (red). Please turn off the power switch first, pull out the power plug and add water to the water tank.

<p>Tank lid</p> <p>① Remove the lid of the tank</p>	<p>Full water mark</p> <p>No water addition at fog outlet</p> <p>② Water injection into water tank</p>	<p>③ Put the water tank on the main engine</p>
<p>④ Cover the water tank well</p>	<p>⑤ Plug in the power to turn on</p>	

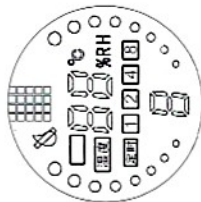


T-605 T-606

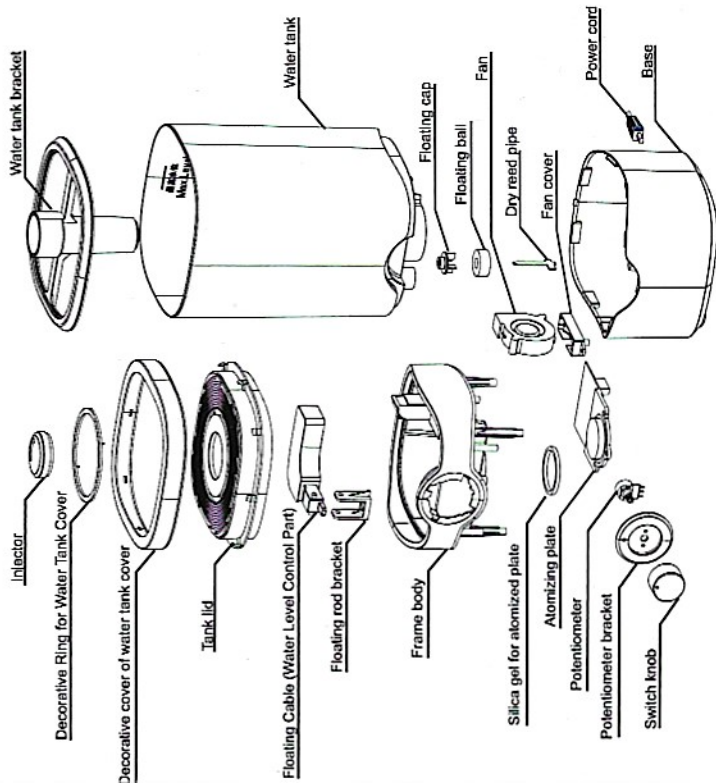
Instructions for Ultrasound Humidifier

Product upgrade and specification parameters are updated without notice. The form and color of the actual product may be slightly different from the physical display. Please refer to the physical object.

Operation instructions for smart panel



- Power key:** touch the power key lightly after switching on the power supply, and the LCD screen lights up the machine to work again, touch the power key lightly, and the machine stops working and enters standby state.
- Constant humidity key:** The product enters constant humidity function by pressing this key for the first time, and the "humidity" flickers on the LCD screen; the default humidity is 45%, then increases by 5% until 90% and withdraws from constant humidity function, so as to adjust circularly. When the ambient humidity reaches the preset humidity value, it stops. Stop work.
- Timing key:** This product has the function of shutting down and entering standby state at predetermined time. It can automatically shut down and enter standby state at fixed time of 1 hour, 2 hours, 4 hours and 8 hours, and display the corresponding timing time by touching the time key display screen lightly.
- Sleep keys:** This product has the function of intelligent sleep humidification; under the working state, the product taps this key to start the function of intelligent constant humidity 65% screen "humidity" icon to flicker for 5 seconds, then automatically shuts down the display screen and keeps the original gear working. After the function is started, the display screen is turned off by pressing any other function keys to light up the screen and display the current working state. When the screen is lit, the sleep key is pressed. Return to sleep function; if no operation for 5 seconds, the screen will close again.
- Fog key:** The product is divided into low fog, medium fog and high fog. The fog can be adjusted by pressing the fog key every time. The default of startup is maximum fog



Fault analysis and troubleshooting

Fault analysis	Cause analysis	Repair method
No light, no wind and no fog?	Power is not connected or problems occur	If the power supply can not work properly, please contact the after-sales service center in time.
Light on, but no wind and no fog?	Base water level is too high	Pour some water out of the base and restart it.
Less spray	Atomizing sheet with more scale or excessive impurities in water	Clean atomizer replaces clean water.
Water can't reach the base.	The lid of the tank is dirty or the tank is not in place.	Clean the water tank cover and install the water tank correctly.
	The water in the tank exceeds the maximum water level.	Reduce the water in the tank to no higher than the highest water level.

Tables of product parameters

Product name	Ultrasonic humidifier
Specification type	T-605 T-606
Rated voltage	110V~220V ; 220V
Rated frequency	50Hz
Rated power	28W
Tank capacity	4.0L
Maximum atomization	300mL/h
Executive standard	GB 4706.1-2005 GB 4706.48-2009

Machinery fund