

LED HORTICULTURE LIGHT INSTRUCTIONS

1 SAFETY RECOMMENDATIONS

Please carefully read recommendations and warnings before installing and using the LED fixture!

The installation and use of the LED fixture is the responsibility of the end user. Incorrect use or installation can lead to failure and damage to the LED fixture.

The warranty shall become void if the product and/or electronic components are damaged due to incorrect installation.

⚠ WARNING

Always adhere to the local building and electrical codes (local rules and regulations) when installing or using the LED fixture.

Do not open or disassemble the LED fixture as it contains no serviceable parts inside. Opening and/or modifying the LED fixture can be dangerous and will void the warranty.

Connect the system only to the power sources of the appropriate voltage using the plug received with the fixture.

Always switch off the main voltage before commencing installation or maintenance work. Let the fixture cool down for at least 20-30 minutes before proceeding, as it gets hot while operating, especially the heatsink and LEDs.

Never look directly into the light source while fixture is turned on. Doing so can cause damage to the eyes. Special glasses are recommended while being in the grow facility with the grow light fixture turned on.

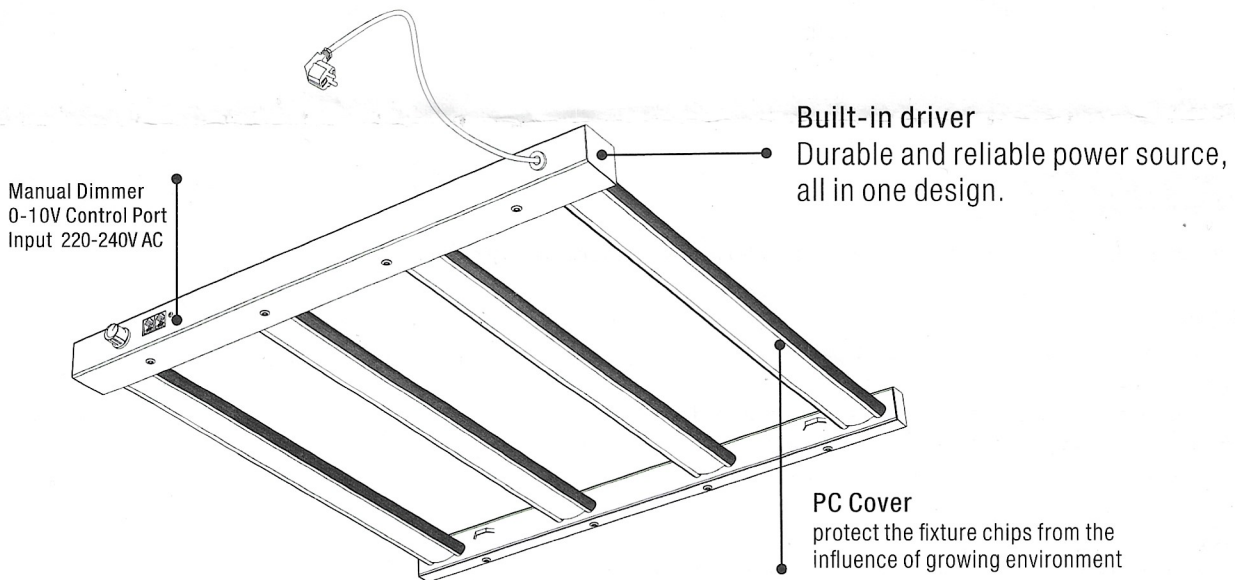
Do not use the product when either the fixture or its power cable are damaged. Modifications to the cables can lead to unwanted electromagnetic effects which may damage the product.

Do not defeat the safety purpose of a grounding or polarized plug by removing ground pins or using unsafe adapters. You may replace the power cable with correctly rated cable only.

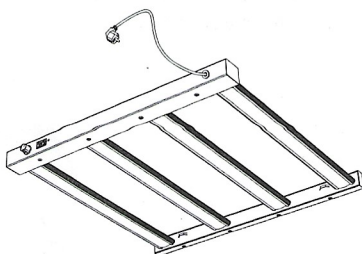
Protect power cables from being pinched, walked on, or otherwise damaged. Be especially careful where the power cable enters the power outlet and the unit.

Always disconnect the LED fixture from mains before performing any maintenance.

Do not use the LED fixture near flammable, explosive or reactive substances. Do not use sulfur vaporizers or water misters.



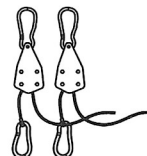
2 PACKAGE INCLUDES



LED Horticulture Light Fixture x1



RJ14 Cable x1



1/8" Rope Ratchet X2



Steel Wire Rope Hanger X2

3 PRODUCT INSTALLATION

Preparation for installation

Refer to your light plan. Arrange the place for the fixture to be mounted. Prepare appropriate "hangers" or any other tools to hang the fixture.

Take caution when handling light bars. Ensure the LED array does not come in contact with sharp objects or force that may damage the diodes. Unbox and unfold the fixture, then place it on flat, stable surface.

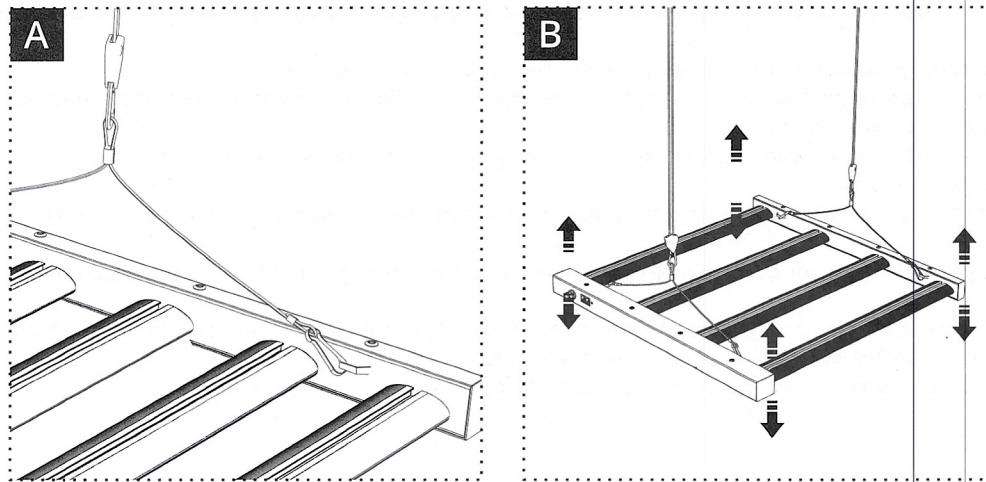
Bring any additional tools and/or hardware that may be required to mount the fixture.

Switch off the main voltage.

Fixture installation

1. Secure the carabiner clip
2. use the carabiner clip on the other end to fix your product
3. pull the rope from the ratchet to adjust the height of the product they hang

Firstly connect the fixture with a power cable. Only then plug the power cable into the electrical socket, and you are ready to go.



4 MAINTENANCE

In the event that the product is defective or damaged, contact the reseller from whom you purchased the fixture.

⚠ WARNING

Do not clean the LED fixture with detergents, abrasives, and/or any other aggressive substances, such as solvents, acetone, alcohol, alkaline cleaners, windows cleaners, and similar.

Regularly check the power cables of the fixture to ensure it is undamaged and safe to use.

Check the product regularly for the build-up of dust and dirt. Clean the product if necessary.

To limit degradation, avoid touching the diodes with your hands, even in a powered-off state.

⚠ CAUTION

Always switch off the main voltage before commencing installation and/or maintenance work.

High voltage: risk of fire & risk of shock.

Do not connect or disconnect the LED fixture under load.

Don't touch. Fixture reaches high temps while in use. Always wait 20 - 30 minutes for the fixture to cool down.

Never open or disassemble the product. It will void the warranty and will break the water-tight seal.

The fixture and power supply are UL 8800 rated but are not designed to be submerged in water.

Cleaning Instructions:

When cleaning, make sure you have unplugged the LED fixture and allow it to cool to room temperature. Do not open the retaining clips when cleaning.

The LED fixture can be cleaned with a feather duster or a soft damp cloth. You should plug in the lighting fixture after it has been completely dried.